

fermacell

Spandrel Panel

fermacell Single Skin Solutions

January 2018



fermacell[®]

The fermacell advantage.

fermacell Gypsum Fibreboard is inherently stronger than plasterboard. One 15 mm sheet of fermacell replaces two sheets of plasterboard to achieve the fire and acoustic requirements of a spandrel panel, thus giving all the performance you need with half the time and labour. But the real benefit of fermacell is its excellent impact and moisture resistance, thus

- significantly reducing any chance of damage during installation and
- reducing the need for working at height - a major health and safety benefit
- Unlike plasterboard it does not need to be wrapped in plastic either, reducing time and waste on-site.



Suitable for use with Robust Details walls in relation to PART E sound insulation performance requirements (refer to Appendix A1 of the Robust Details Handbook, regarding spandrel panels, for details).

No more repairing Spandrels

Fire Performance

Spandrel panels built using 15 mm **fermacell** Gypsum Fibreboard gives a 60 minute performance. Tested to BS 476: Part 22: 1987.

Acoustic Performance

Spandrel panels built using 15 mm **fermacell** Gypsum Fibreboard is suitable for use with Robust Details walls in relation to PART E sound insulation performance requirements (refer to Appendix A1 of the Robust Details Handbook, regarding spandrel panels, for details).

Weathering

There is no need for a plastic covering to the spandrel panel, unless they are likely to be left exposed for prolonged periods of time.

Table Guide for Exposure to Weather

	Urban Area, City or Town Location	Exposed Rural Location	Coastal Location
fermacell Gypsum Fibreboard	8 Weeks	6 Weeks	4 Weeks

Maximum exposure times for **fermacell** Gypsum Fibreboard panels stored vertically without protection.

Helpful information

Weight

fermacell Gypsum Fibreboard 15 mm board is 18 kg/m²
18 mm board is 21 kg/m²

Jointing

Standard joints are a tight dry-butt joint i.e. no gaps. Any gaps may require additional detailing such as fire mastic or a 150 mm cover strip of 15 mm **fermacell** Gypsum Fibreboard.

Panel joints on site

See detail on next page.

Timber frame must be orientated so that the board is fixed to the small face of the timber i.e. 44 mm or 38 mm.

Timber frame may be fixed with nail plates, instead of end nailing.

Nail Plate Details

- min 1 mm thick
- min 8 mm long nails
- must be fixed to each face of the timbers
- steel CE marked to EN 14545:2008

A twin frame solution is allowable i.e. twin timber spandrel frames with **fermacell** board fixed to the outer face of each panel.

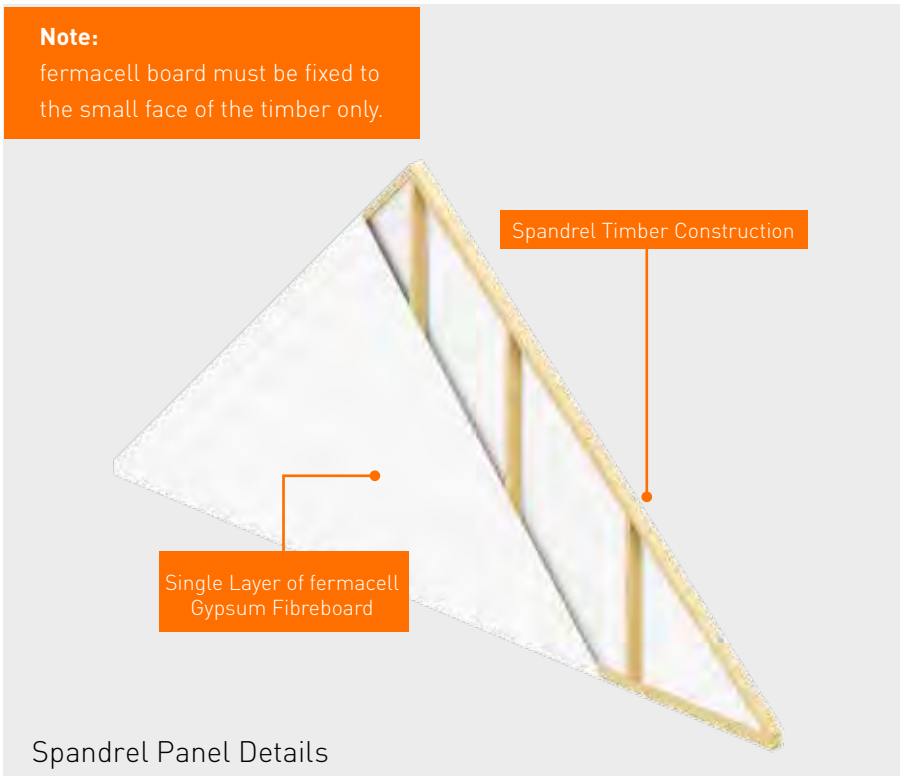
The spandrel may be a triangular shape.

Max. Height of spandrel is limited to 4 m i.e. for fitting two panels together on site.

For Fixings, see table to the left.

Note:

fermacell board must be fixed to the small face of the timber only.

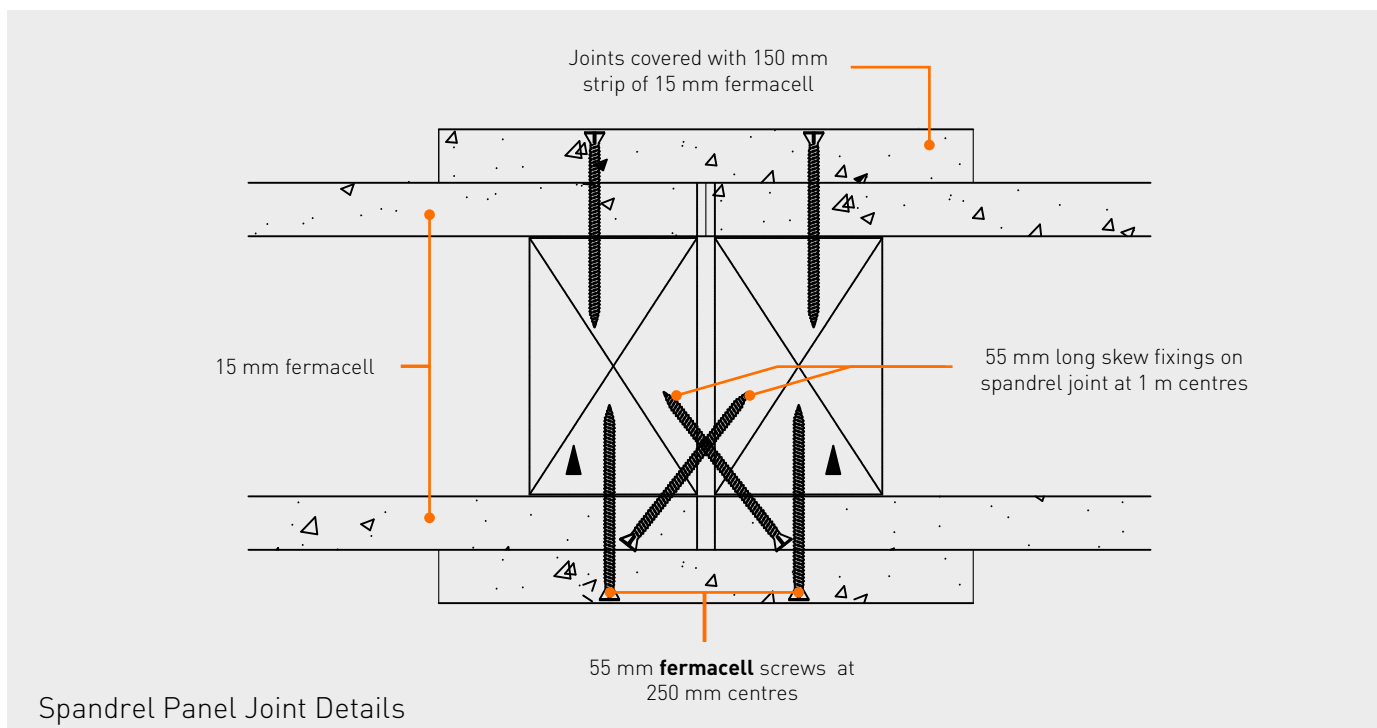


Spandrel Construction Options With Fixings

Construction Options	Timber Size (min)	Board Size	fermacell Screws	Galv. Staples 10 mm x 1.5
A	70 mm x 44 mm	15 mm	40 mm x 3.9 mm at 250 mm centres	> 48 mm at 200 mm centres
B	89 mm x 38 mm	18 mm [^]	40 mm x 3.9 mm at 250 centres	> 48 mm at 200 mm centres.

[^]For fixing details, contact **fermacell** technical department.

Spandrel Panel Joint Details



Cutting fermacell Gypsum Fibreboard

fermacell Gypsum Fibreboard can be scored and snapped using a **fermacell** knife, or cut using a hand saw, circular saw or jigsaw. When using a mechanical saw, use a vacuum attachment. For a circular saw, select a blade with fewer teeth - a maximum of 16 is advisable and reduce the cutting speed.



What is fermacell made of?

Made from recycled gypsum obtained as a waste product from coal fired power stations and recycled paper, **fermacell** Gypsum Fibreboard is completely recyclable making it an environmentally sound choice and improving BREEAM ratings.

Handling

For handling instructions, refer to **fermacell** handy guide.

Health and Safety

Although **fermacell** Gypsum Fibreboard itself does not contain any dangerous chemicals, it is imperative that safe working practices are followed. Care must be taken when using fermacell and its associated accessories in area of limited ventilation and around other working personnel. As with all board cutting, ensure use of good ventilation.

You can download a PDF copy of the **fermacell** Gypsum Fibreboard Safety Data Sheet via the Download section on our website www.fermacell.co.uk

Fermacell UK
7 The Priory
Old London Road
Canwell
Sutton Coldfield
B75 5SH
Telephone: 0121 311 3480
Fax: 0121 311 1882
E-Mail: fermacell-uk@jameshardie.com

www.fermacell.co.uk

fermacell[®]

The latest versions of this datasheet
can be found digitally on our website at
www.fermacell.co.uk

All information and data is correct at
the time of print. We reserve the right to
make technical changes at any time.