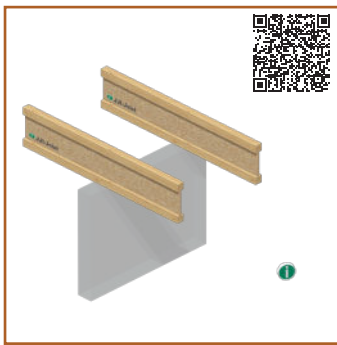
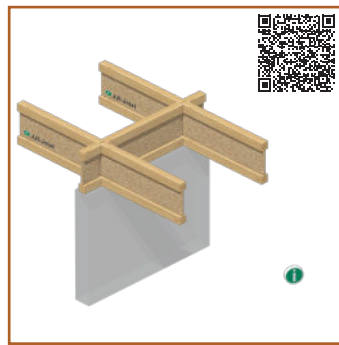


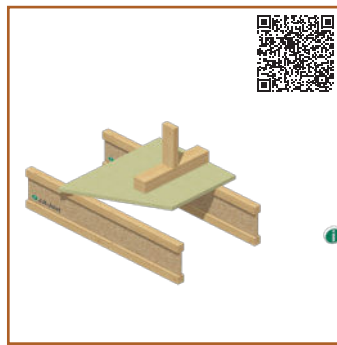
3D FLOOR DETAILS



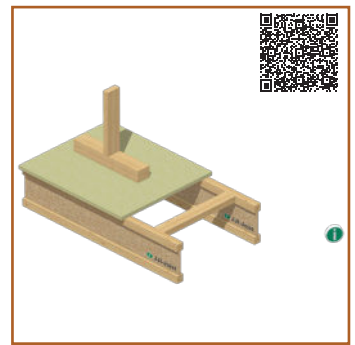
F1 - Continuous JJI-Joist on wall



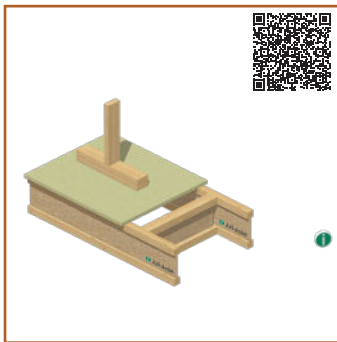
F2 - Split JJI-Joist on wall



F3 - Wall at 90° to JJI-Joist



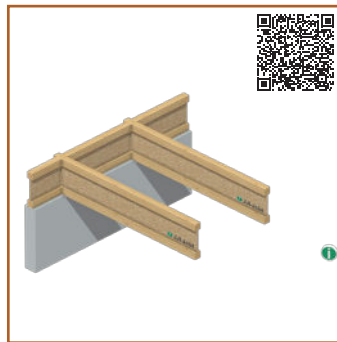
F4 - Non load bearing wall parallel to JJI-Joist



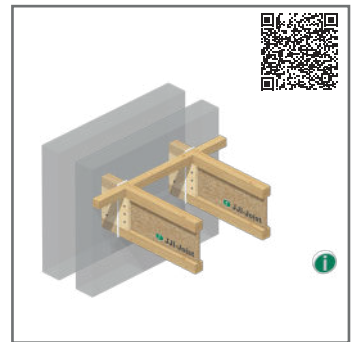
F4A- Non load bearing wall parallel to JJI-Joist



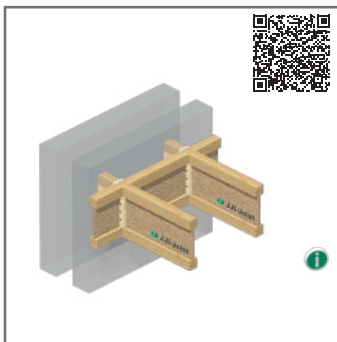
F5 - Intermediate bearing with load bearing wall above



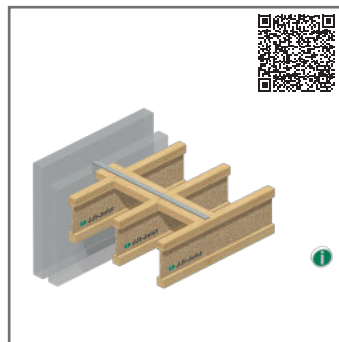
F6 - Terminating JJI-Joist on wall



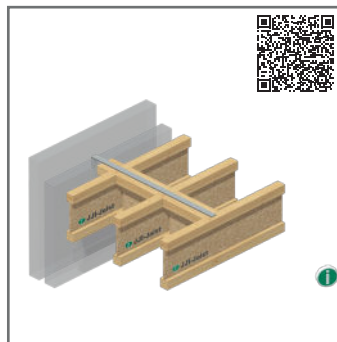
F7 - JJI-Joist bearing in block wall



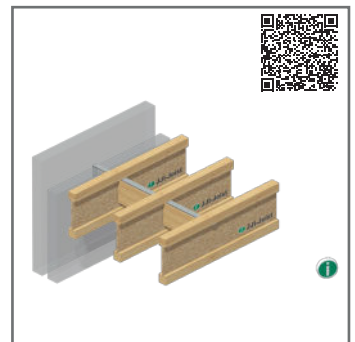
F7A - JJI-Joist bearing in block wall



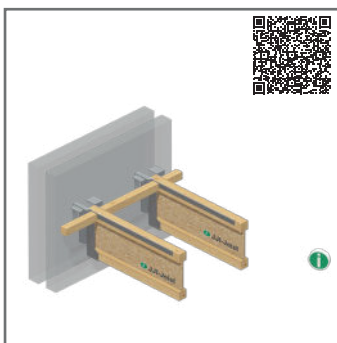
F8 - Masonry wall restraint JJI-Joist parallel detail 1



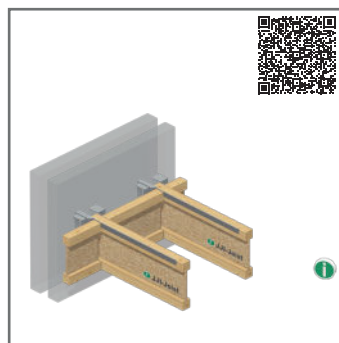
F8A - Masonry wall restraint JJI-Joist parallel detail 1



F9 - Masonry wall restraint JJI-Joist parallel detail 2



F10 - Wall restraint, block wall hanger support



F10A - Wall restraint, block wall hanger support



F11 - JJI-Joist bearing on external wall



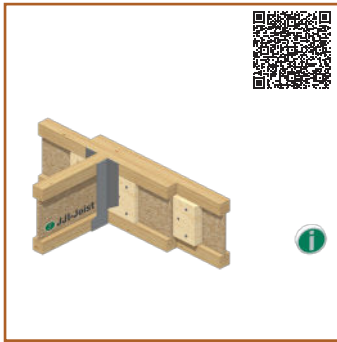
F14 - Single JJI-Joist to JJI-Joist

● General

● Timber Frame

● Masonry

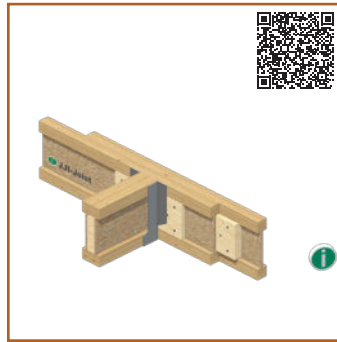
3D FLOOR DETAILS



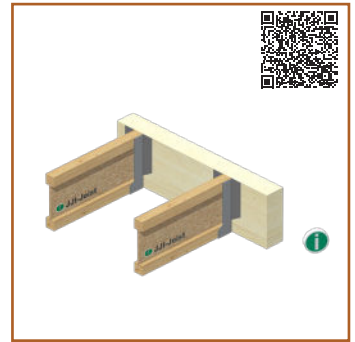
F15 - Single JJI-Joist to multiple JJI-Joist



F16 - Single JJI-Joist to JJI-Joist (Light load)



F17 - Multiple JJI-Joist to multiple JJI-Joist



F18 - JJI-Joist to engineered timber



F19 - Filler block - double or treble JJI-Joist



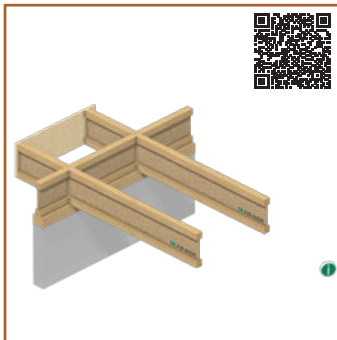
F21 - Filler and backer block nailing detail



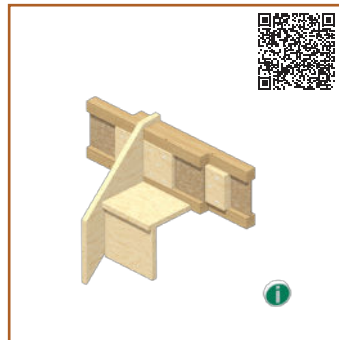
F22 - Web stiffener



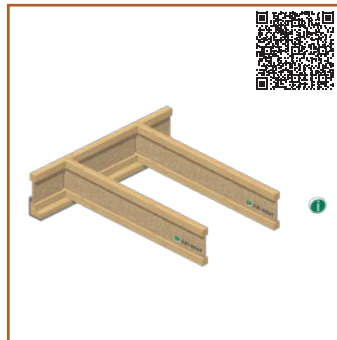
F23 - Compression Block



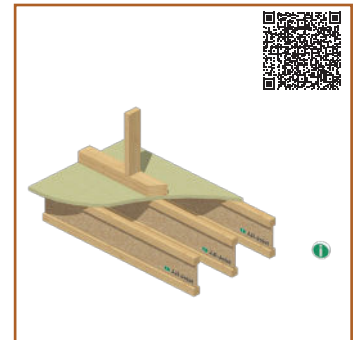
F24 - Cantilever



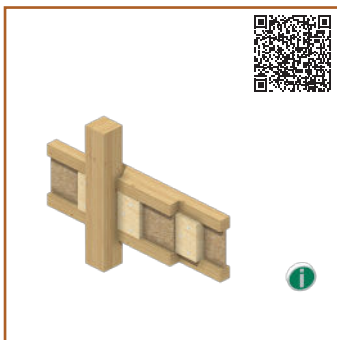
F25 - Stair stringer connection



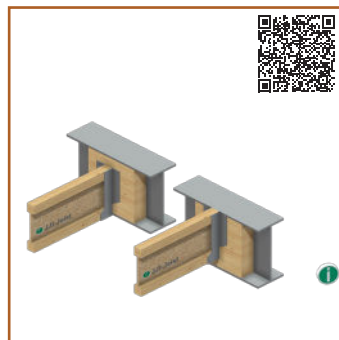
F26 - JJI-Joist supported on steel/corbel wall



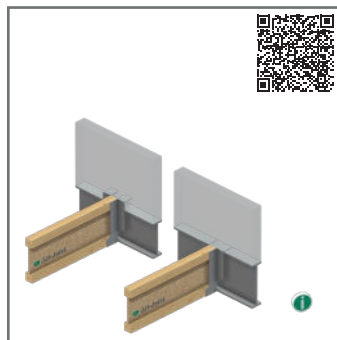
F27 - Load bearing wall parallel to JJI-Joist run



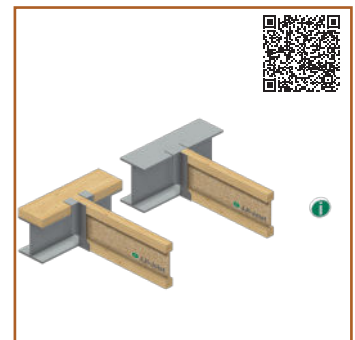
F28 - Newel post to JJI-Joist trimmer



F29 - JJI-Joist to steel beam face fixing



F30 - JJI-Joist to steel beam/masonry



F31 - JJI-Joist to steel beam top fixing

● General

● Timber Frame

● Masonry

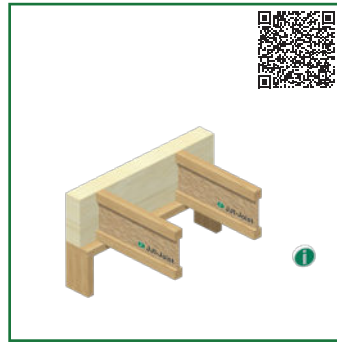
3D FLOOR DETAILS



F32 - JJI-Joist bearing on party wall



F33 - JJI-Joist parallel to party wall



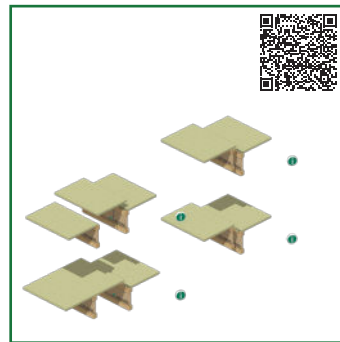
F34 - Indicative disproportionate collapse JJI-Joist at 90° to wall



F35 - Indicative disproportionate collapse JJI-Joist parallel to wall



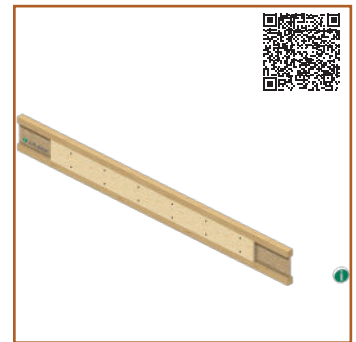
F36 - JJI-Joist parallel to external wall



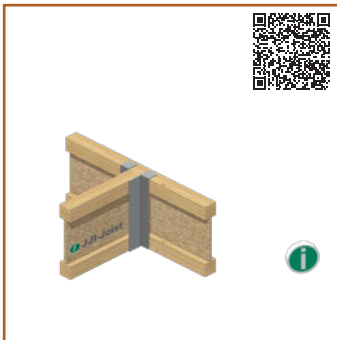
F37 - Floor cassette joining detail



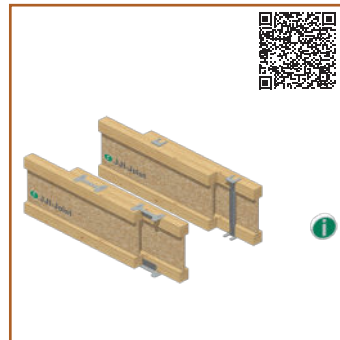
F39 - Enhanced hanger uplift



F40 - Continuous filler blocks



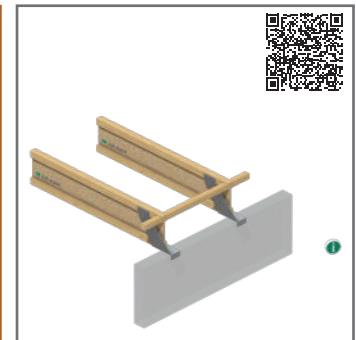
F41 - Backer free JJI-Joist to JJI-Joist



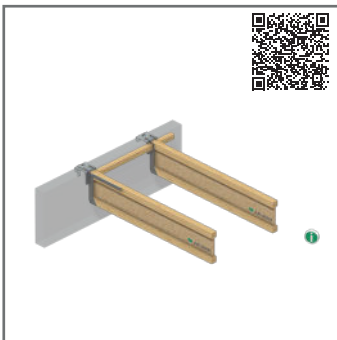
F42 - Fixing double or treble JJI-Joists



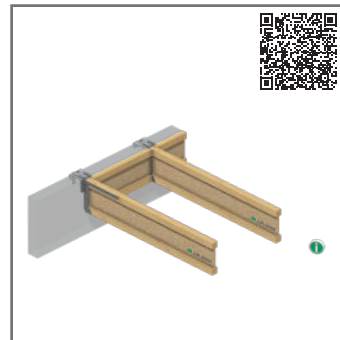
F43 - Fixing double JJI-Joists



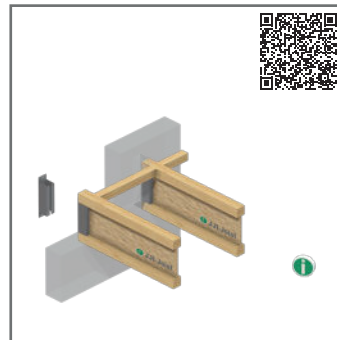
F45 - Masonry restraint hanger detail 1



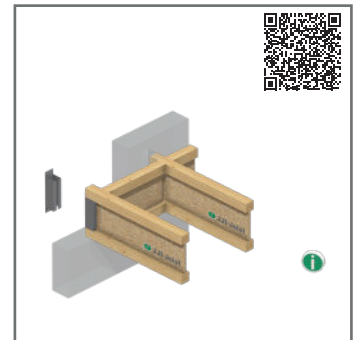
F46 - Masonry restraint hanger detail 2



F46A - Masonry restraint hanger detail 2



F47 - SST End Cap airtightness detail



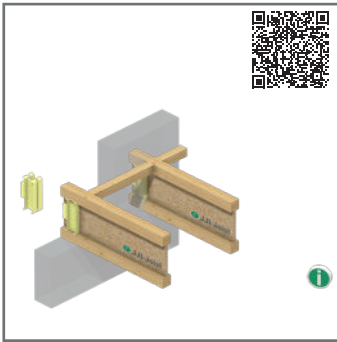
F47A - SST End Cap airtightness detail

● General

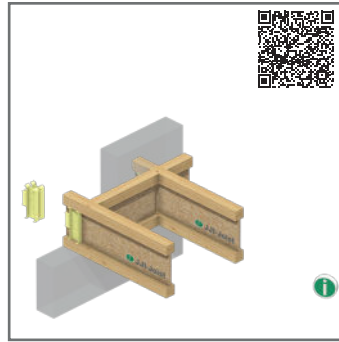
● Timber Frame

● Masonry

3D FLOOR DETAILS



F48 - ITW Gripper airtightness detail



F48A - ITW Gripper airtightness detail



F49 - JJI-Joist bearing on external wall (low load)



F50 - JJI-Joist parallel to external wall (low load)



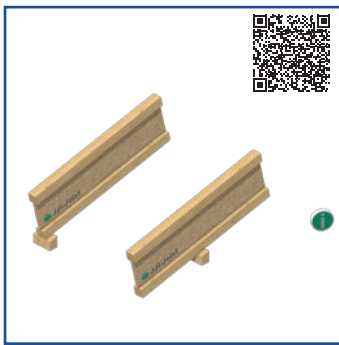
F51 - JJI-Joist parallel detail - sprockets

● General

● Timber Frame

● Masonry

3D ROOF DETAILS



R1 - JJI-Joist bearing lengths



R2 - Birdsmouth



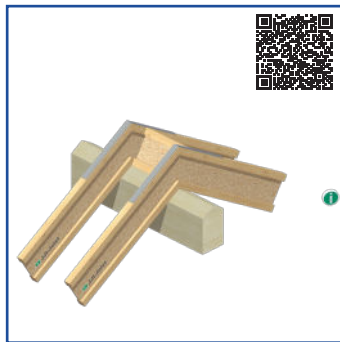
R3 - Bevelled support plate for pitches up to 45°



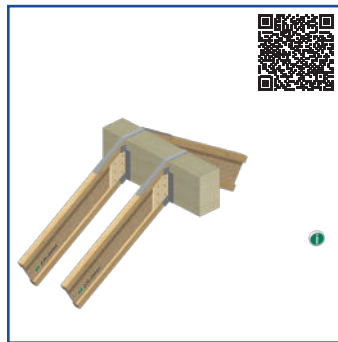
R4 - Adjustable seat connector for pitches 15° - 45°



R5 - Loose timber overhangs



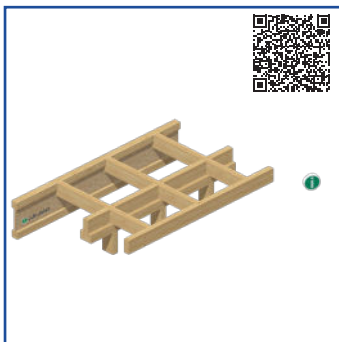
R6 - Downstand ridge beam



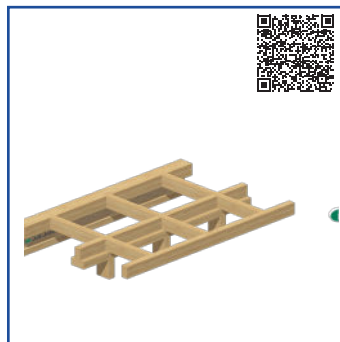
R7 - Flush ridge beam



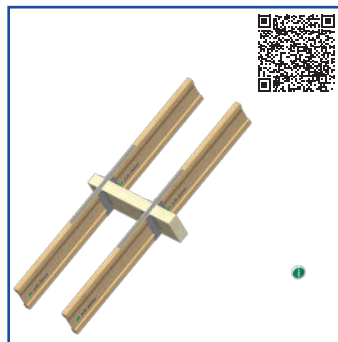
R8 - Opening in roof



R9 - Gable ladder



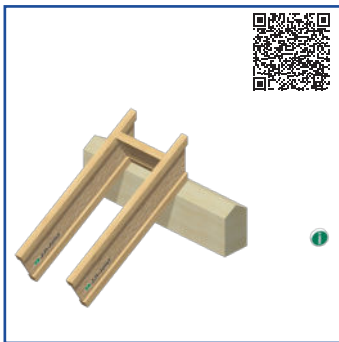
R9A-Gable ladder



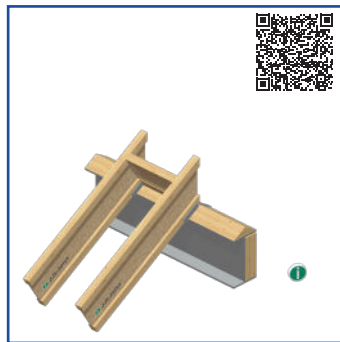
R11 - Flush purlin beam



R12 - JJI-Joist rafter fixing to wall plate



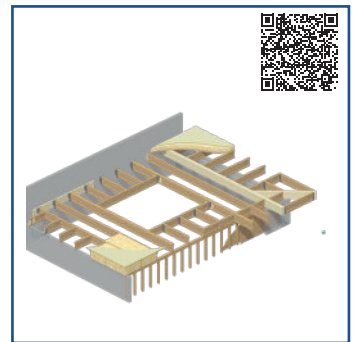
R13 - JJI-Joist rafter terminating on downstand ridge beam



R14 - JJI-Joist rafter terminating on downstand steel beam

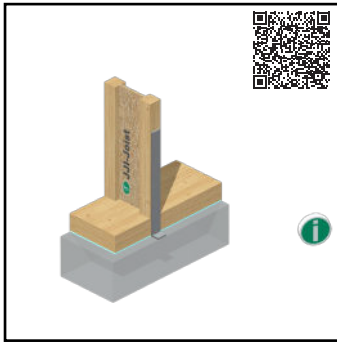


JJI-Joist pitched roof system

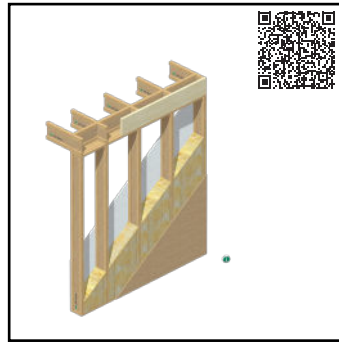


JJI-Joist flat roof system

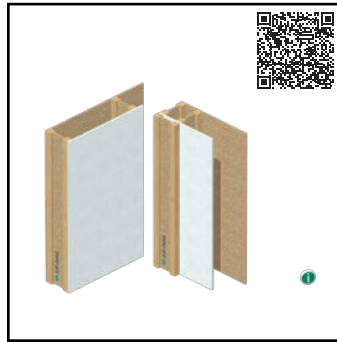
3D WALL DETAILS



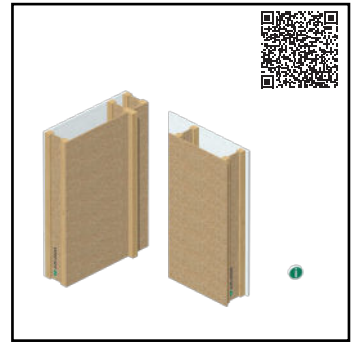
W1 - Ground floor to wall junction



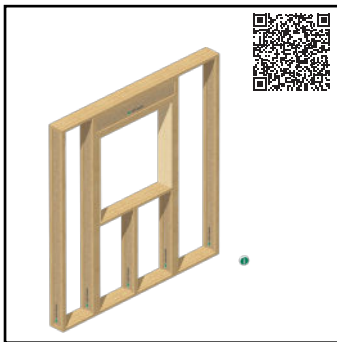
W2 - Intermediate floor to wall junction



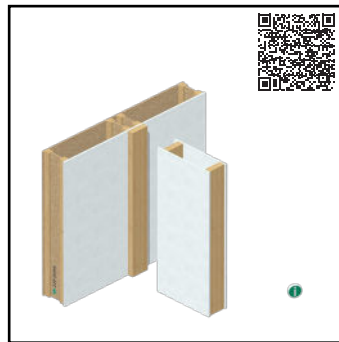
W3 - External wall, corner junction



W4 - External wall, inverted corner



W5 - Structural opening



W6 - Internal to external wall junction



Click on the QR codes for the 3D images